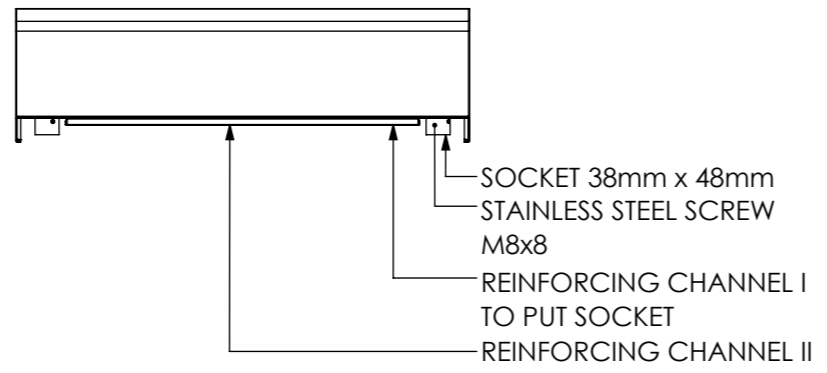
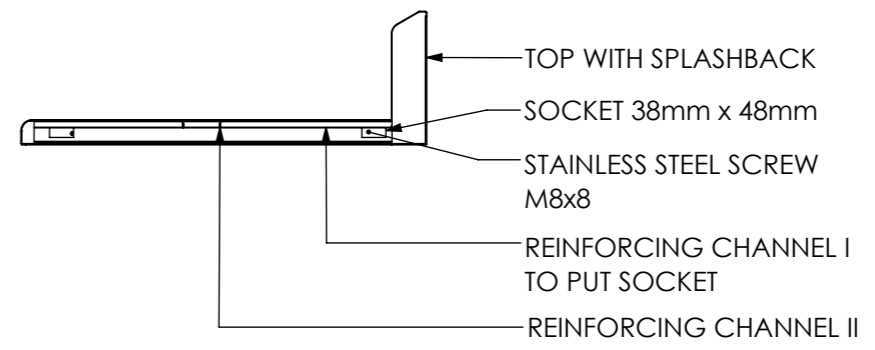


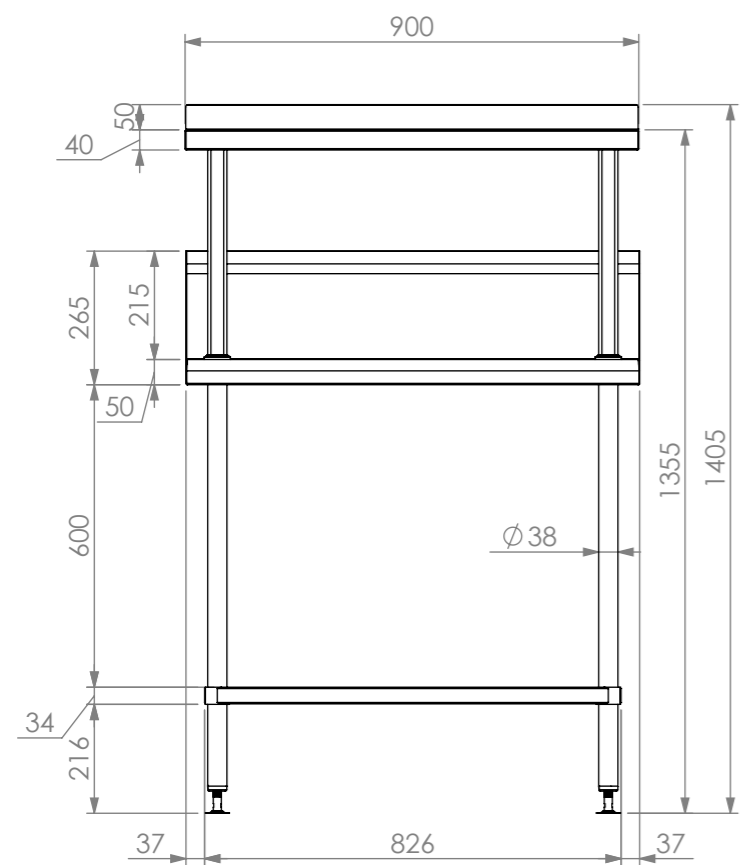
PLAN VIEW



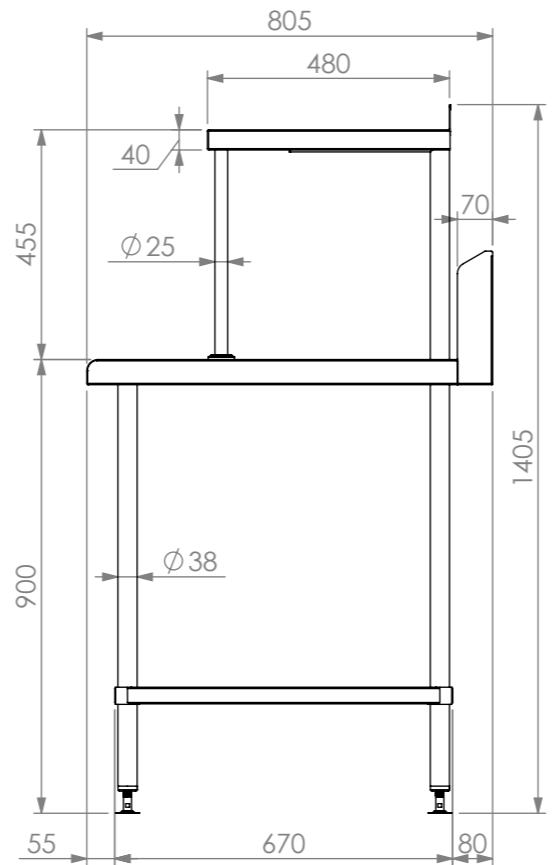
SECTION A-A  
(TOP ONLY)



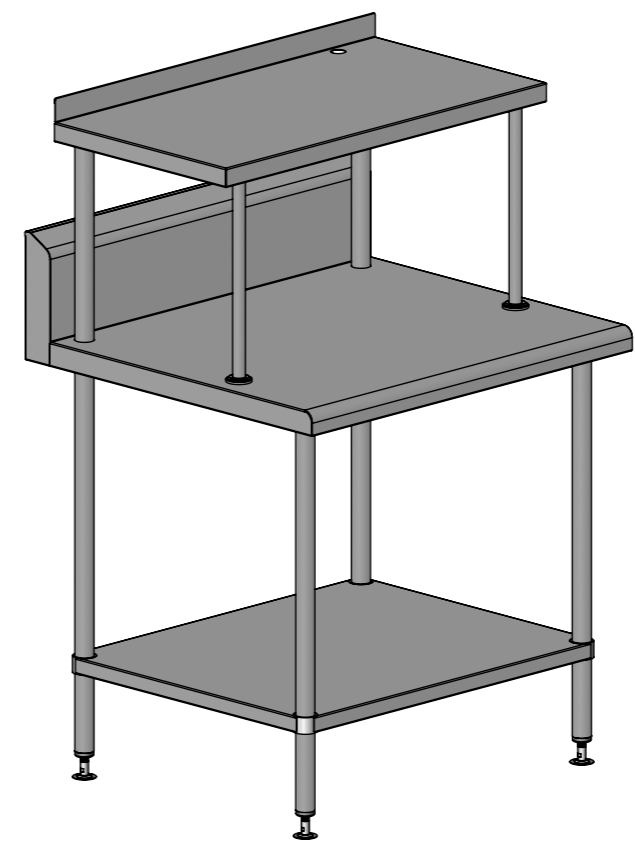
SECTION B-B  
(TOP ONLY)



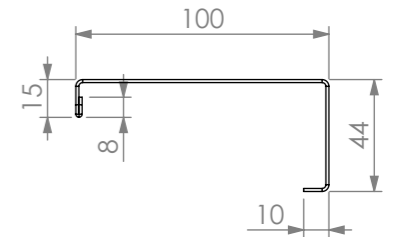
FRONT VIEW



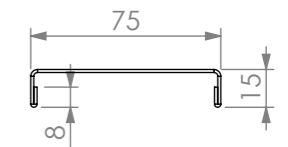
SIDE VIEW



ISOMETRIC VIEW



REINFORCING CHANNEL I  
DETAILS



REINFORCING CHANNEL II  
DETAILS



www.simplystainless.com  
Modular Sinks Tables and Shelving  
COPYRIGHT © 2018  
This drawing is the property of CI GROUP PTY LTD. Tradings as SIMPLY STAINLESS and it may not be copied, reproduced or modified in whole or in part without prior written permission of CI GROUP PTY LTD. SIMPLY STAINLESS reserves the right to change specification and design without notice.

**EU 18 WALDROF SALAMANDER BENCH**

SCALE : 1:20

- CONSTRUCTION NOTES :
1. TOPS MADE FROM 1.2mm STAINLESS STEEL.
  2. REINFORCING CHANNEL I & II MADE FROM 1.2mm STAINLESS STEEL.
  3. FRAME MADE FROM Ø38mm STAINLESS STEEL TUBE
  4. UNDERSHELF MADE FROM 1.2mm STAINLESS STEEL WITH STAINLESS STEEL SUPPORTS.
  5. FEET ARE ADJUSTABLE STAINLESS STEEL DISC SHAPED FEET.

EU 18-WD-0900